



The Fordney Club MARCH 2016

NEWSLETTER

Fordney Club Brothers,

It is thought that the past helps us to understand the future. However, we now live in a time of rapid change, a time of progress. We prefer to define ourselves in terms of where we are going, not where we come from. Our ancestors lived in times so different from our own that they are incapable of shedding light on our experience. We are so much smarter now so anything from the past, even ten years ago, seems outdated and irrelevant. History does matter. It has been said that he who controls the past controls the future. Our view of history shapes the way we view the present, and therefore it dictates what answers we offer for existing problems.

John D. Morey
President 2015-2016

THE FORDNEY CLUB BOARD OF DIRECTORS, 2015-2016

- PRESIDENT—John Morey (989) 395-6678
- VICE PRESIDENT—Todd Hart (989) 860-8843
- SECRETARY—Andy Friend (989) 798-6059
- TREASURER —Jon Homan (989) 295-1119
- DINNER CHAIRMAN—Mike Espinoza (989) 980-3229
- MEMBERSHIP CHAIRMAN—Joe Rau (989) 714-3795
- MEMBER AT LARGE—Joe Albosta
- MEMBER AT LARGE—Nate Collison

— Upcoming Board Meetings —

March 8th and 22nd @ 5:30
American Legion Post #439

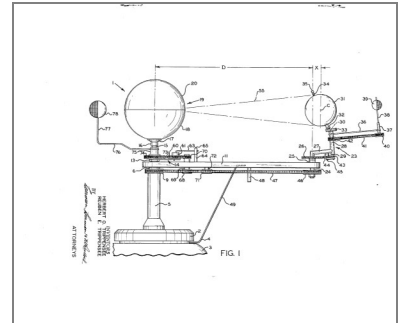


TRIPPENSEE PLANETARIUM CO.

301 CASS STREET

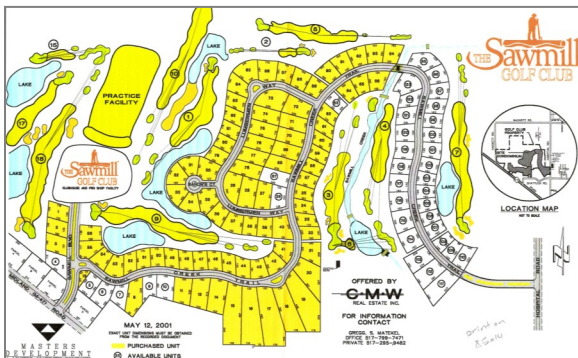
FORDNEY CLUB MEMBER HERB TRIPPENSEE

HERB TRIPPENSEE DESIGNED THIS PLANETARIUM FOR USE IN THE CLASSROOM TO SHOW THE MOVEMENTS AND THE RESULTS OF THE MOVEMENTS OF EARTH AND OTHER BODIES AROUND THE SUN. MORE SPECIFICALLY, IT IS CAPABLE OF DEMONSTRATING THE PURPOSE FOR EARTH'S FOUR SEASONS, THE APPARENT RISING AND SETTING OF THE SUN, AND NIGHT AND DAY.



TRIPPENSEE'S DESIGN

RICHARD CRANNELL AND THE SAWMILL GOLF CLUB



IN 1993, RICHARD CRANNELL (RC) PARTNERED WITH PHIL HENDRICK AND ANDY BETHUNE TO FORM MASTERS DEVELOPMENT, LLC. THEY SOON ACQUIRED PROPERTY IN SAGINAW TOWNSHIP THAT WOULD EVENTUALLY BECOME THE SAWMILL GOLF CLUB. JOHN SANFORD, FAMOUS GOLF COURSE ARCHITECT, WAS HIRED FROM JUPITER, FL TO DESIGN THE LAND. THE COURSE OPENED ON JUNE 1, 1997. TODAY, THE SAWMILL IS KNOWN AS A PREMIER GOLF COURSE, WHERE A UNIQUE GOLF EXPERIENCE IS A RULE, NOT AN EXCEPTION.



FORDNEY CLUB MEMBER
RICHARD CRANNELL

(WWW.THESAWMILL.COM)

SAVE THE DATE: THE SAWMILL WILL BE THE SITE OF THE FORDNEY 300 ON JUNE 9TH

— **Reminder!** — WHEN PLANNING FOR YOUR ESTATE ARRANGEMENTS, PLEASE CONSIDER PLACING THE FORDNEY CLUB IN YOUR TRUST, WILL, OR ESTATE PLAN. ALSO PLEASE CONSIDER MEMORIALS TO THE FORDNEY CLUB.

MARCH BIRTHDAYS

Mitch Wagner	9th
Stephen Walch	9th
Peter Walsh	11th
Robert Loftus	15th
Kenneth McIntyre	15th
Frederick Gray	17th
Jerry Valeck	18th
John Gottschalk	20th
Richard Campau	23rd
Andy Friend	23rd
Thomas Dawson DDS	24th
Mike McCabe	25th
David Hoffman	26th
Josh Spinney	29th
David Homan	30th
Nathan Breidinger	31st
Garrett Geisenhauer	31st

PRINCING & BRENNAN PHARMACY FORDNEY CLUB MEMBER BERT BRENNAN



IN 1926, RUSSEL PRINCING ACCEPTED A CLERK POSITION AT SPECKHARD'S DRUGS. TWO YEARS LATER, HE WENT TO FERRIS INSTITUTE IN BIG RAPIDS AND RETURNED IN 1930 WITH A DEGREE IN PHARMACY,

A YEAR LATER, HE BOUGHT COOPER & BARNARD DRUGSTORE, AND HE BOUGHT SPECHARD'S IN 1936. IN 1941, HE PARTNERED WITH BERT BRENNAN AND THE PHARMACY WAS RENAMED PRINCING & BRENNAN. RUSS TOOK CARE OF THE BOOKS, AND BERT TOOK CARE OF THE BUYING. TOGETHER, THEY SUPPORTED THE NEEDS OF A GROWING SAGINAW. LIKE HIS FATHER, DENNIS PRINCING STUDIED PHARMACY AT FERRIS. TODAY, HE CONTINUES AS A CHIEF EXECUTIVE OF THE COMPANY.

FORDNEY CLUB MISSION

THE MISSION OF THE FORDNEY CLUB IS TO SUPPORT EDUCATION, YOUTH ATHLETICS, AND THE GENERAL COMMUNITY WELFARE BY ACTION, WORD, OR DEED.

— Important Notice! —

Call-in or email for dinner reservations must be received by noon on the Friday prior to the Tuesday dinner to allow for proper food orders. Those attending dinner, who did not call in or email their reservation will be served last. Please assist your club in reducing wasted food and making sure there is enough food for everyone. Please call (989) 249-1923 or email fordneydinner@gmail.com for reservations.

MARCH DINNERS

MARCH 1—ALBOSTA'S MICHIGAN DINNER WITH UP PASTIES



MARCH 15— ST. PATRICK'S DAY BORCHARD AND HARE'S CORNED BEEF AND CABBAGE

FLASHBACK

TODD HART'S GREAT-GRANDFATHER

FORDNEY CLUB MEMBER

A PARTNER IN THE GRAIN AND FEED BUSINESS,

MICHAEL J. HART COINED THE TERM "NAVY BEANS," AS HE WAS TRYING TO GET A GOVERNMENT CONTRACT TO SELL BEANS TO THE NAVY.

TODD HART'S GRANDFATHER

FORDNEY CLUB MEMBER

IRVING HART IS PICTURED IN AN AD FEATURED IN CATHOLIC WEEKLY ON SUNDAY, NOVEMBER 1ST.



TODD HART

Have a **HART**



for **Prosecutor**

Member SS. Peter and Paul Parish